

H4 SL Dome Camera with LightCatcherTM Technology

The H4 SL camera line has an innovative and modular design that is easy to install. Built on the H4 platform, it combines our patented LightCatcher and Wide Dynamic Range (WDR) technologies to provide exceptional image quality in complex lighting.

Using HDSM SmartCodecTM and idle scene mode technologies, the H4 SL camera optimizes video streams in real time, minimizing bandwidth and storage requirements while maintaining clear, detailed images. It integrates with Avigilon Control CenterTM video management software (VMS), and is ONVIF-compliant for integration with a third-party VMS. With significant improvements to bandwidth savings and lower storage retention, as well as its easy-to-install, modular design, the H4 SL camera line adds even more value than before, lowering your total cost of ownership.



Straight out of the box, the H4 SL camera is designed and packaged for simple ordering and quick and flexible installation. This camera line's discreet and modular design allows it to seamlessly fit in to its surroundings.

The H4 SL camera's IK10-rated, vandal-resistant and IP66 dust and water-resistant housing (outdoor model only) make it ideal for monitoring a variety of indoor and outdoor environments, such as hallways, public entrances and lobbies of banks, schools, retail outlets and hotels.

Avigilon HDSM SmartCodec technology H4 SL optimizes the video stream in real time using automatic ROI encoding to save bandwidth and storage requirements while maintaining image quality.

KEY FEATURES

1.3, 2.0 and 3.0 megapixel resolution models
Innovative modular design for quick and easy installs
3-9 mm F/1.4 lens with remote zoom and focus
Content adaptive IR technology provides effective illumination through the field of view, while maintaining exceptional scene illumination
Wi-Fi camera configuration support
Avigilon LightCatcher technology provides exceptional image quality in low light environments
Dual exposure Wide Dynamic Range for complex lighting environments
Integrated IR (Infrared) LEDs provide uniform illumination in the dark, even at 0 lux, up to maximum of 15 m (~50 ft) away (outdoor model only)
Avigilon HDSM SmartCodec technology for reduce bandwidth and storage requirements
Idle scene mode lowers bandwidth and storage usage if there are no motion events detected in the scene
(Outdoor model only) IK10 vandal resistant construction and IP66 compliant

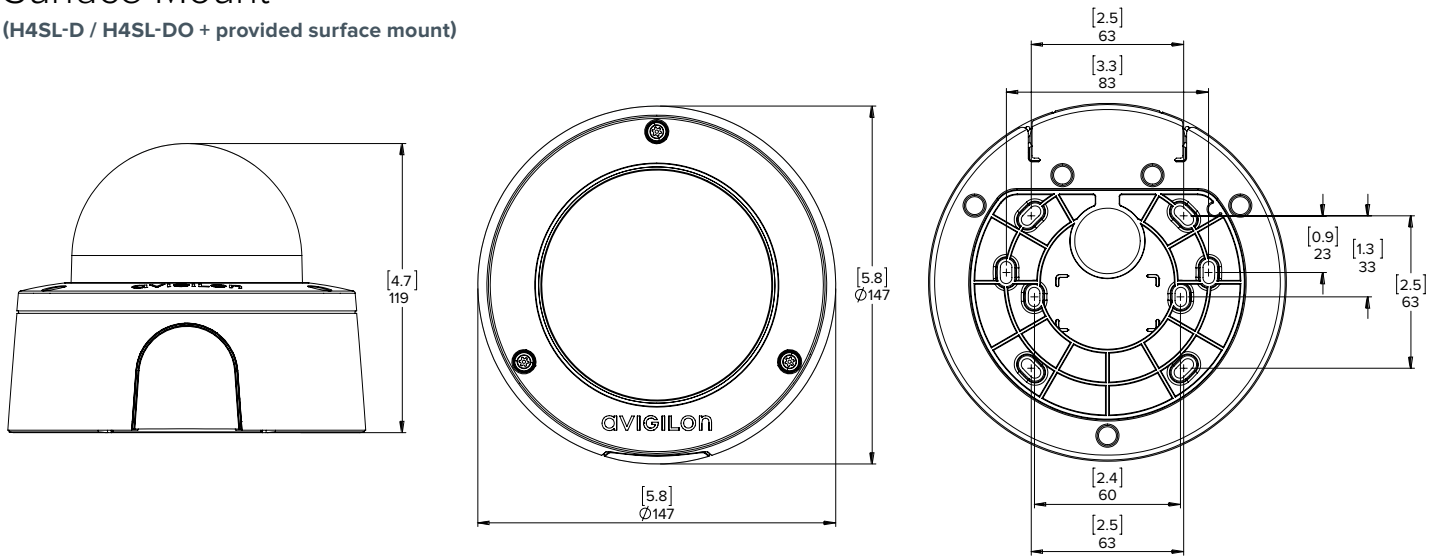
Specifications

		1.3 MP	2.0 MP	3.0 MP	
IMAGE PERFORMANCE	Image Sensor	1/2.8" progressive scan CMOS			
	Aspect Ratio	5:4	16:9	4:3	
	Active Pixels (H x V)	1280 x 1024	1920 x 1080	2048 x 1536	
	Imaging Area (H x V)	3.7 mm x 3.0mm; 0.145" x 0.118"	5.6 mm x 3.1 mm; 0.22" x 0.122"	5.12 mm x 3.84 mm; 0.202" x 0.157"	
	Image Rate	30 fps	30 fps	20 fps	
	Minimum Illumination	with IR	0.01 lux in color mode; 0 lux (F/1.4) in monochrome mode		0.02 lux in color mode; 0 lux (F/1.4) in monochrome mode
		without IR	0.01 lux in color mode; 0.002 lux (F/1.4) in monochrome mode		0.02 lux in color mode; 0.004 lux (F/1.4) in monochrome mode
	IR Illumination (high power 850 nm LEDs)	(H4SL-D) Indoor model — 10 m (33 ft) max. distance at 0 lux (H4SL-DO) Outdoor model — 15 m (50 ft) max. distance at 0 lux			
	Dynamic Range	100 dB			
	Resolution Scaling	Down to 384 x 216			
	Bandwidth Management	HDSM SmartCodec technology; Idle scene mode			
	3D Noise Reduction Filter	Yes			
	LENS	Lens	F/1.4, 3-9 mm, motorized, varifocal		
		(Aspect ratio) HFoV	(5:4) 26° – 60°; (16:9) 39° – 90°		(5:4) 36° – 84°; (16:9) 39° – 90°; (4:3) 39° – 90°
IMAGE CONTROL	Image Compression Method	H.264 (MPEG-4 Part 10/AVC), Motion JPEG			
	Streaming	Multi-stream H.264 and Motion JPEG			
	Video Compression	H.264/MJPEG/HDSM SmartCodec technology			
	Motion Detection	Pixel			
	Tamper Detection	Yes			
	Electronic Shutter Control	Automatic, Manual (1/6 to 1/8000 sec)			
	Iris Control	Automatic, Manual			
	Day/Night Control	Automatic, Manual			
	Flicker Control	50 Hz, 60 Hz			
	White Balance	Automatic, Manual			
	Backlight Compensation	Adjustable			
	Privacy Zones	Up to 64 zones			
	NETWORK	Network	100BASE-TX		
		Cabling Type	CAT5		
Connector		RJ-45			
ONVIF		ONVIF compliant with version 1.02, 2.00, Profile S			
Security		Password protection, HTTPS encryption, digest authentication, WS authentication, user access log, 802.1x port based authentication			
Protocols		IPv6, IPv4, HTTP, HTTPS, SOAP, DNS, NTP, RTSP, RTCP, RTP, TCP, UDP, IGMP, ICMP, DHCP, Zeroconf, ARP			
Streaming Protocols		RTP/UDP, RTP/UDP multicast, RTP/RTSP/TCP, RTP/RTSP/HTTP/TCP, RTP/RTSP/HTTPS/TCP, HTTP			
Device Management Protocols		SNMP v2c, SNMP v3			
PERIPHERALS		USB Port	USB 2.0		
		Onboard Storage	microSD/microSDHC/microSDXC slot – minimum class 6; class 10/UHS-1 or better recommended		
MECHANICAL		SURFACE MOUNT	IN-CEILING MOUNT	PENDANT MOUNT	
				NPT ADAPTER	NPT + WALL MOUNT
	Dimensions (LxWxH)	147 mm x 147 mm x 119 mm; 5.8" x 5.8" x 4.7"	174 mm x 174 mm x 162 mm; 6.9" x 6.9" x 6.4"	153 mm x 153 mm x 166 mm; 6.0" x 6.0" x 6.5"	269 mm x 153 mm x 214 mm; 10.6" x 6.0" x 8.4"
	Max. Ceiling Thickness	n/a	32 mm (1.25")	n/a	n/a
	Weight	H4SL-D — 0.76 kg; 1.68 lbs	H4SL-D — 0.75 kg; 1.65 lbs	H4SL-D — 0.75 kg; 1.65 lbs	H4SL-D — 2.02 kg; 4.45 lbs
		H4SL-DO — 0.78 kg; 1.72 lbs	H4SL-DO — 0.77 kg; 1.69 lbs	H4SL-DO — 0.77 kg; 1.69 lbs	H4SL-DO — 2.04 kg; 4.49 lbs
	Dome Bubble	Polycarbonate, clear			
	Body	Polycarbonate			Polycarbonate/aluminum
	Housing	Vandal resistant			
	Finish	Fog coat, cool grey			Powder coat, RAL 9003
	Adjustment Range	360° pan, ±180° azimuth, 30° – 95° tilt (recommended), 10° – 95° tilt (maximum),			
	ELECTRICAL	Power Consumption	H4SL-D — 4 W max H4SL-DO — 7 W max		
		Power Source	PoE: IEEE802.3af Class 3 compliant		
		RTC Backup Battery	3V manganese lithium		
ENVIRONMENTAL	Operating Temperature	Outdoor: -30 °C to +60 °C (-22 °F to 140 °F); Indoor: 0 °C to +60 °C (32 °F to 140 °F)			
	Storage Temperature	-10 °C to +70 °C (14 °F to 158 °F)			
	Humidity	0 - 95% non-condensing			
CERTIFICATIONS	Certifications/Directives	UL, cUL, CE, ROHS, WEEE, RCM, EAC (not applicable to 3MP indoor dome), KC			
	Safety	UL 60950-1, CSA 60950-1, IEC/EN 60950-1, IEC 62471			
	Environmental	(H4SL-DO outdoor models only) IK10 Impact Rating, UL/CSA/IEC 60950-22, IEC 60529 IP66 Rating			
	Electromagnetic Emissions	FCC Part 15 Subpart B Class B, IC ICES-003 Class B, EN 55032 Class B, EN 61000-6-3, EN 61000-3-2, EN 61000-3-3, EN 55032, KN 32, EN 55011			
	Electromagnetic Immunity	EN 55024, EN 61000-6-1, EN 50130-4, KN 35			

Outline Dimensions

Surface Mount

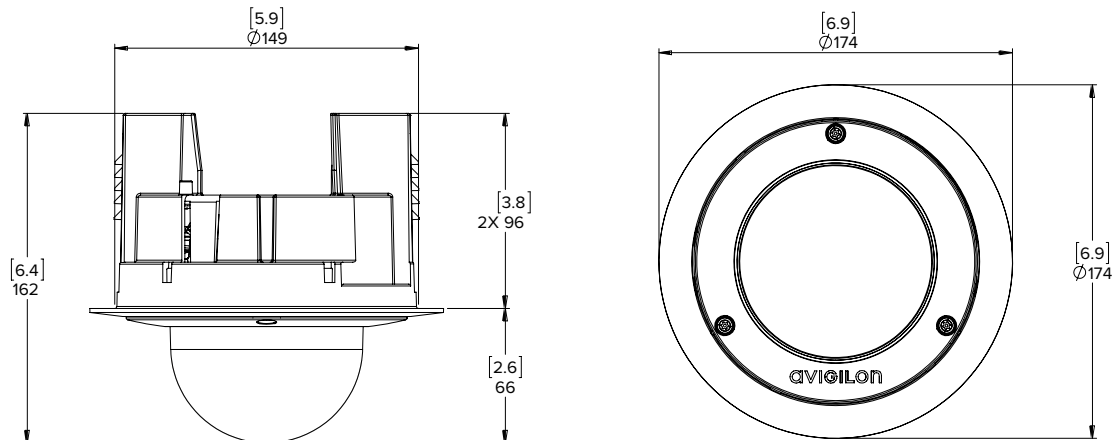
(H4SL-D / H4SL-DO + provided surface mount)



In-Ceiling Mount

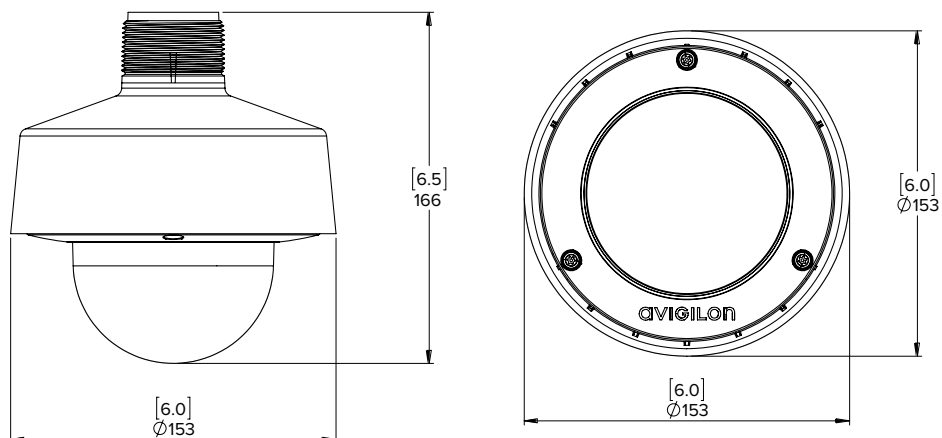
(H4SL-D/H4SL-DO + H4SL-MT-DCIL)

[X.X]	INCHES
X	MM



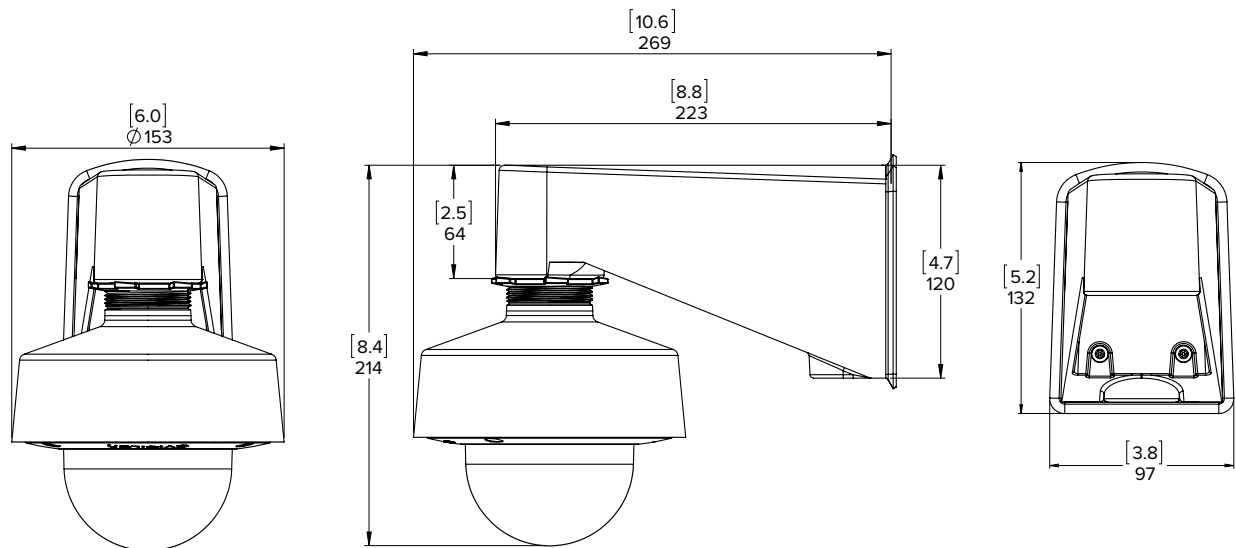
NPT Adapter

(H4SL-D/H4SL-DO + H4SL-MT-NPTA)



NPT Adapter and Pendant Wall Mount

(H4SL-D/H4SL-DO + H4SL-MT-NPTA + CM-MT-WALL1)



Ordering Information

	MP	WDR	LightCatcher Technology	Lens	IR	IP66	HDSM SmartCodec
1.3C-H4SL-D1	1.3	✓	✓	3 - 9 mm			✓
2.0C-H4SL-D1	2.0	✓	✓	3 - 9 mm			✓
3.0C-H4SL-D1	3.0	✓	✓	3 - 9 mm			✓
1.3C-H4SL-D1-IR	1.3	✓	✓	3 - 9 mm	✓		✓
2.0C-H4SL-D1-IR	2.0	✓	✓	3 - 9 mm	✓		✓
3.0C-H4SL-D1-IR	3.0	✓	✓	3 - 9 mm	✓		✓
1.3C-H4SL-DO1-IR	1.3	✓	✓	3 - 9 mm	✓	✓	✓
2.0C-H4SL-DO1-IR	2.0	✓	✓	3 - 9 mm	✓	✓	✓
3.0C-H4SL-DO1-IR	3.0	✓	✓	3 - 9 mm	✓	✓	✓
H4SL-MT-DCIL1	In-ceiling mounting adapter for the H4 SL dome camera						
H4SL-MT-NPTA1	NPT adapter for the H4 SL dome camera						
CM-MT-WALL1	Pendant wall mount						
H4-DC-CPNL1	Metal ceiling panel						
H4-MT-POLE1	Aluminum pole mounting bracket						
H4-MT-CRNR1	Aluminum corner mounting bracket						
H4-AC-WIFI2-NA	USB Wi-Fi adapter						
H4-AC-WIFI2-EU	USB Wi-Fi adapter						
H4SL-DD-SMOK1	Replacement outdoor smoke dome cover						
H4SL-DD-CLER1	Replacement outdoor clear dome cover						
H4SL-DI-SMOK1	Replacement indoor smoke dome cover						
H4SL-DI-CLER1	Replacement indoor clear dome cover						
H4SL-DO1-BASE	Replacement outdoor surface mount adapter						
H4SL-D1-BASE	Replacement indoor surface mount adapter						